

DC FUSE

CATALOG & DATASHEET



PRODUCT GENERAL INFORMATION

Product Applications

PV fuse is mainly used in solar photovoltaic combiner box for the possible production of solar panels.

Division of line overload and short circuit current caused by inverter and other current feedback of photovoltaic series.

The fuse can also be used for other functions.

It is used for overload and short circuit protection of electrical components in DC circuit.

Product Basic Parameters

Rated voltage: DC1000V, rated current up to 1250A.

Use type: GPV, can also derive: GG, am, etc

Breaking capacity up to 20kA. The main guidelines and standards for fuse manufacturing are: GB 13539.1/ec60269-1; GB / t13539.6 /IEC60269-6; UL248-1 & 19 /UI248-4248.

Product Structural Features

The shape of the fuse link is divided into round tube and square tube.

The inner part of the fuse is made of silver tape.

It is packaged in high temperature resistant and high strength ceramic tube and filled with enough high silicon quartz sand as filler to play the role of arc extinguishing medium.

Product Basic Data

The model, dimension, rated voltage and current of fuse are shown in the figure / table.

SOLAR (PV) POWER PROTECTION : FUSE

Product Application

A range of 10x38mm fuse links specifically designed for protecting photovoltaic strings. These fuse links are capable of interrupting low overcurrents associated with faulted photovoltaic string arrays (reverse current, multi-array fault).

Product Structural Features

- According to IEC60269-1
- Rated voltage: DC 1000V
- Rated current: 1-32A
- Rated breaking capacity: DC 20KA
- Operating class gPV for Solar protection



○ Product Specifications

Pole	Rated Voltage Ue (V DC)	Rated Current In (A)	Rated breaking capacity(KA)	The Most High Power Consumption(W)
1P	1000	1,2,3,4,5,6,8,10,12,15,20,25,30,32	20	3.5

○ Product Connection and Installation

Connection(mm ²)	2.5-10
Working temperature(°C)	-30-+70
Resistance And Damp Hot	Class 2
Altitude(m)	<2000
Relative Humidity	<95%
Protection Class/Degree	IP20
Pollution	3
Installation Environment	No obvious shock and vibration
Installation Class/Type	Class III/DIN rail

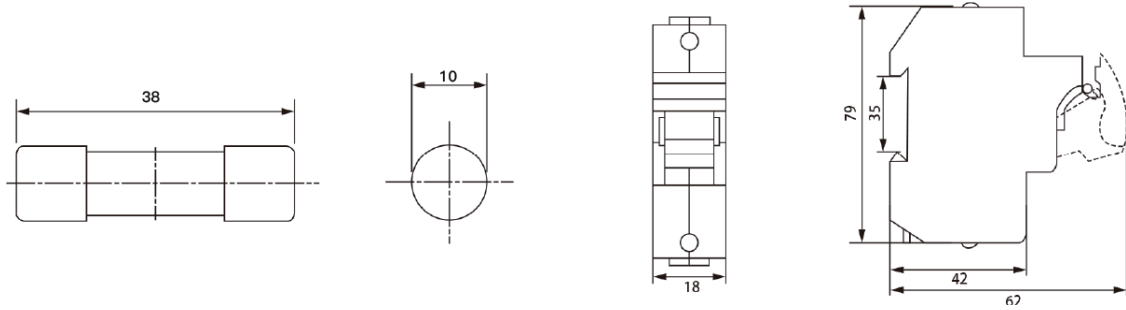
○ Product Size(mm)

W*L*H	W	18
	H	60
	L	78
Fuse Size (mm)		10x38
Fuse Link Weight (kg)		0.09
Fuse holder weight (kg)		0.07

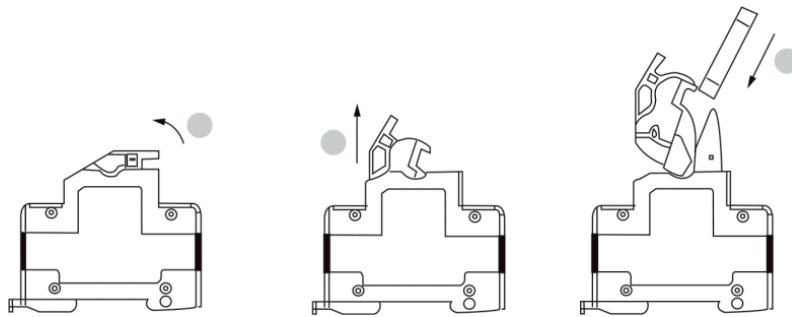
○ Product Application Conditions

- Photovoltaic system fuse accord with UL248-1 standard.
- Photovoltaic battery de fuse designed to used for photovoltaic (PV) system.
- Main effect is to protect the solar panels. Solar panels points in effective condition is broken.
- It won't affect other normal work of solar modular from the stack while disconnect the fault solar cells.
- Technical Data Rated coltage: DC1000V Breaking capacity: 20KA Function level: PV.

Product Dimension



Product Installation



Product Characteristic curve

